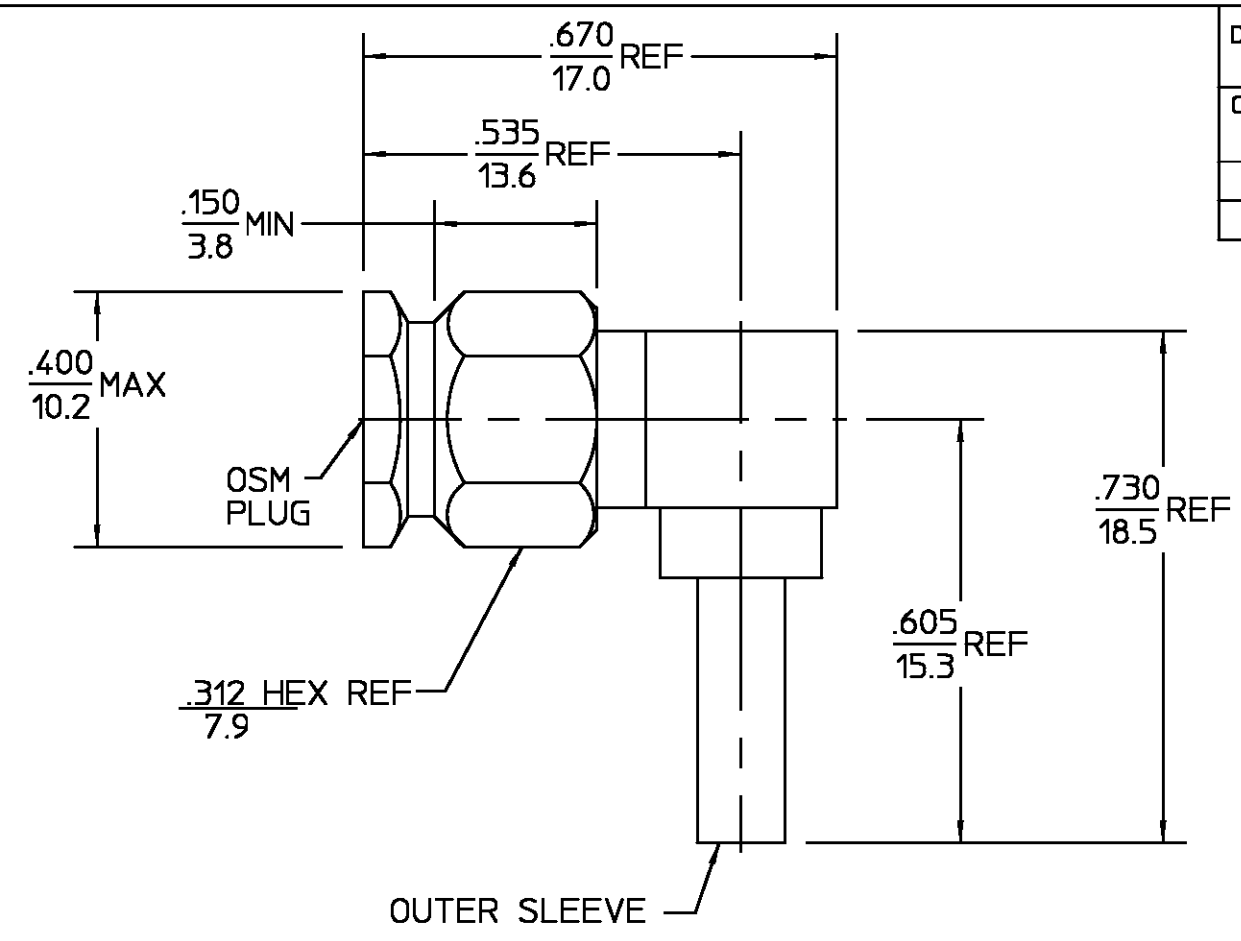


DESIGNED FOR USE WITH RG-188/U CABLE	
CABLE ENTRY DIAMETER MINIMUM	
HOUSING	.065
FERRULE	.125

REVISIONS			
REV	DESCRIPTION	DATE	APPROVED
01 ₂	REVISED	DAC 6/15/99	DCM 6/16/99



COMPONENT	MATERIAL	FINISH
HOUSING COUPLING NUT CAP	STAINLESS STEEL PER ASTM-A484 AND ASTM- A582, TYPE 303	PASSIVATE PER ASTM-A380
DIELECTRIC	TFE FLUOROCARBON PER ASTM-D-1457	N/A
CENTER CONTACT	BRASS PRE ASTM-B-16 HALF HARD	GOLD PLATE PER MIL-G-45204
RETAINING RING	BERYLLIUM COPPER PER ASTM B 194, ALLOY C17200, CONDITION H	N/A
GASKET	SILICONE RUBBER PER ZZ-R-765	N/A
FERRULE	COPPER OR BRASS ALLOY ROCKWELL F65 MAXIMUM	GOLD PLATE PER MIL-G-45204

ELECTRICAL	MECHANICAL	ENVIRONMENTAL
Nominal Impedance (Ohms) <u>50</u>	Interface Dimensions MIL-STD-348A, Fig. 310.1	Temperature Rating <u>-65°C to +165°C</u>
Frequency Range (GHz) DC to <u>12.4</u>	Recommended Mating	Vibration MIL-STD-202, Method 204, Condition D.
Volt Rating (VRMS MAX) @ Sea Level <u>250</u>	Torque <u>7 to 10 in-lbs</u>	Shock MIL-STD-202, Method 213, Condition I.
VSWR <u>1.15 ± .03 f(GHz)</u>	Mating Characteristics:	Thermal Shock MIL-STD-202, Method 107, Condition B,
Insertion Loss (dB MAX) <u>.15 √f(GHz)</u>	Insertion (MAX Lbs) <u>N/A</u>	Except High Temp shall be +85°C.
RF Leakage (dB MIN) <u>-60 @ 2-3 (GHz)</u>	Withdrawal (MIN Oz) <u>N/A</u>	Moisture Resistance MIL-STD-202, Method 106
Corona, 70,000 Ft (VRMS MIN) <u>190</u>	Force to Engage and Disengage (In-Lbs MAX) <u>2.0</u>	Corrosion - MIL-STD-202, Method 101, Condition B, 5% salt spray
Dielectric Withstanding Voltage (VRMS MIN) @ Sea Level <u>750</u>	Center Contact Captivation	
Contact Resistance (Milliohms MAX)	Axial (Lbs) <u>6.0</u>	
Center Contact <u>4.0</u>	Radial (In-Oz) <u>4.0</u>	
Outer Contact <u>2.0</u>	Cable Retention	
Cable to Housing <u>0.5</u>	Axial Force (Lbs) <u>20.0</u>	
RF High Potential @ Sea Level	Torque (In-Oz) <u>n/a</u>	
(VRMS MIN @ 5 MHz) <u>500</u>	Weight (Grams) <u>TBD</u>	
LR.(Megohms MIN) <u>5,000</u>		

UNLESS OTHERWISE SPECIFIED DIMENSIONS ARE IN INCHES TOLERANCE ON FRAC. DEC. ANGLES ± 1/64 ±.005 ± °	DRAWN BY DAN CASTRO 8/31/82	DATE 8/31/82	AMP Incorporated 140 Fourth Avenue Waltham, MA 02451-7599	
	CHECKED BY G. SONIA 9/3/82			
These drawings and specifications are the property of AMP Incorporated and shall not be reproduced or copied or used in whole or in part as the basis for the manufacture or sale of item(s) without written permission.	APPD BY TS 9/3/82	TITLE OSM RIGHT ANGLE CABLE PLUG CRIMP ATTACHMENT M39012/56-3019 CAT B	AMP	
	USE ASS'Y PROCEDURE			NO. AP. 408-04967 (20-520)
	SIZE B			CODE IDENT NO. 26805
SCALE 4 : 1		SHEET 1 OF 1		